

3 REB09系列

电动车驱动轮制动器

REB09 Forklift Driving Unit Brake

产品特点

- ⊙ REB09系列是一种弹簧加压的干式摩擦(通电时释放、失电时制动)电磁制动器
- ⊙ REB09系列电动车驱动轮制动器具有可靠性高、安全性好、使用方便、性能稳定的特点
- ⊙ 针对不同的应用环境,我们有不同的解决方案:我们有为增加回转半径的大斜角设计,有为提高防护等级的封闭设计,有为适应不同工作环境的防护附件
- ⊙ 制动器的额定电压(VDC): 24V、45V
- ⊙ 制动器扭矩范围4~95N.m
- ⊙ 我们的制动器工作气隙在到达寿命气隙后可以进行至少3次调节,等于延长3倍使用寿命

应用范围

- ⊙ AGV
- ⊙ 电动车驱动轮

Product Features

- ⊙ REB09 series products are spring-applied and dry-friction electromagnetic brakes (releasing when energized and braking when cut off)
- ⊙ REB09 series features high reliability and good safety. It's easy to be applied and maintained
- ⊙ Customized solution, different application have different product design: We added the large oblique angle for radius of gyration, apply enclosing design to improve the protection level, and design protection accessories adapting to different working conditions
- ⊙ Rated voltage of Brake (VDC): 24V,45V
- ⊙ Braking torque scope: 4~95N.m
- ⊙ The working gap can be adjusted at least 3 times after reaching to its life to extend its service 3 times

Application

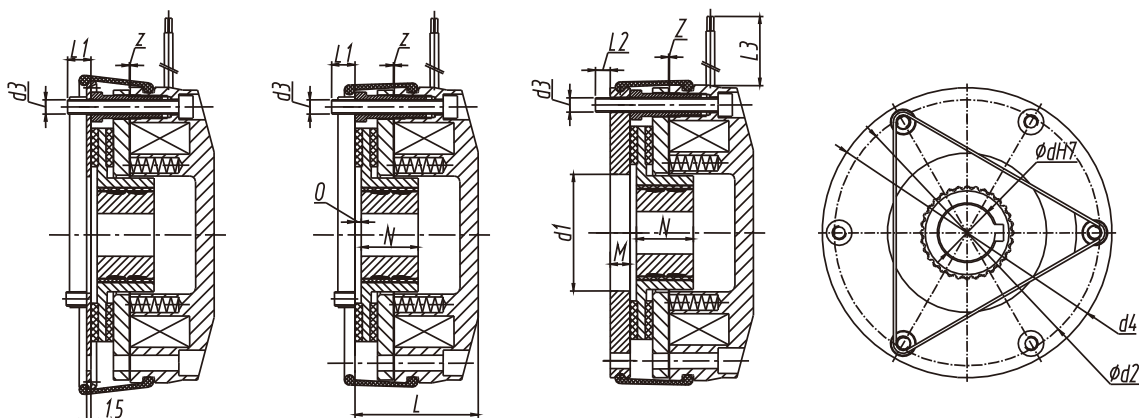
- ⊙ AGV
- ⊙ Forklift driving unit

技术参数

Technical Data

REB09系列制动器各配置尺寸

Dimensions



机座号 Model No.	T	Tmax	d	d ₁	d ₂	d ₃	d ₄	M	N	O	L	L ₁	L ₂	z	L ₃
06	4	6	11	31	72	3×M4	84	7.5	18	1	35.3	9.7	6	0.2	400
08	8	12	15	41	90	3×M5	104	8.5	20	1.5	43.5	12.2	9	0.2	400
10	16	23	15	44	112	3×M6	130	10	20	2	48.4	11.2	12	0.2	400
12	32	46	20	52	132	3×M6	150	10	25	2	54.4	11	12	0.3	400
14	60	95	25	60	145	3×M8	165	13	30	2	66.3	14	14	0.3	1000

⊙ T为额定扭矩 (N.m)

⊙ 表中L3为导线长度，特殊要求可以定制。

⊙ T represents rated torque(N.m)

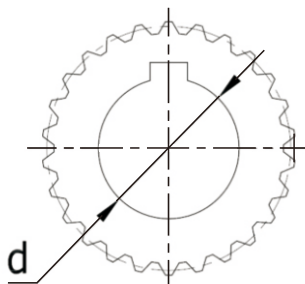
⊙ L3 listed in the Table represents the length of the conductor, which could be ordered.

花键套内孔可选安装尺寸

Optional Mounting Sizes for the Inner Bore of the Splined Hub

安装孔公差为H7，键槽尺寸符合DIN6885/1(GB/T1095-79)JS9，其中加粗的孔径为基本尺寸。

The mounting hole tolerance is H7. The dimension of keyway satisfies DIN6885/1(GB/T1095-79)JS9. The apertures presented in bold letters are basic dimensions.



机座号 Size NO.	d
06	11/12/14/15
08	11/12/14/ 15 /20
10	15/20
12	20/25
14	20/ 25 /30